

# MAA AMERICAN SPONTOON

## ASSEMBLY INSTRUCTION SHEET

**INCLUDED:** MAA American Spontoon head, wood shaft, 2 screws.

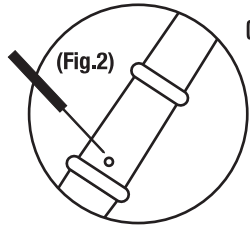
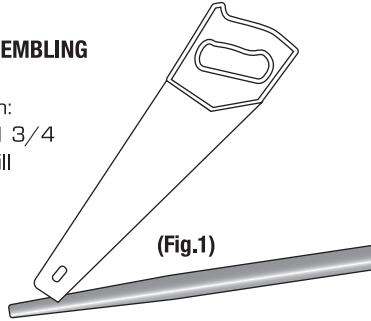
**YOU WILL NEED:** Drill, 1/32" drill bit, Phillips Head screw bit, and a hand saw.

### ALWAYS WEAR EYE PROTECTION WHILE ASSEMBLING THIS PRODUCT

To assemble your MAA American Spontoon:

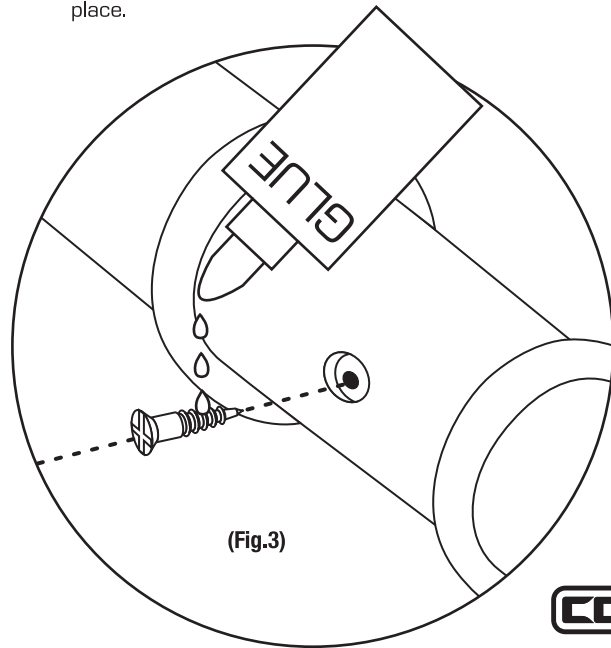
**(A)** You will need to saw off approximately 1 3/4 inches off of the tenon of the shaft. This will make the shaft fit more snugly to the head.

**(Fig.1)**

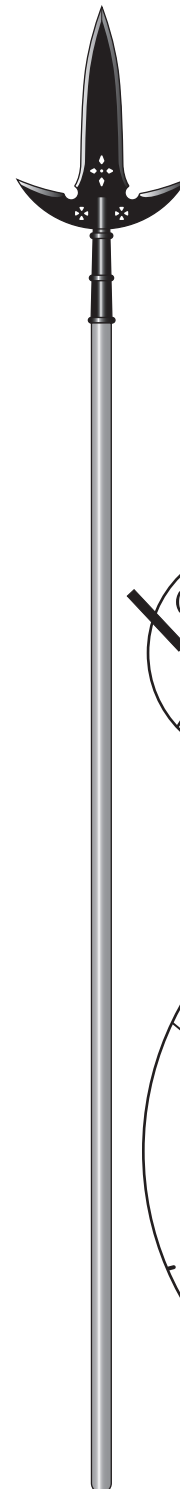


**(B)** Take the head and fit it tightly on to the shaft. Then use an awl or scribe to mark the shaft through the pre-drilled holes in the head. After you have done this, remove the Spontoon head and drill a shallow hole using a 1/32" (approx.) drill bit.

**(C)** When the hole has been drilled, you can put the Spontoon head back in place.



**(D)** Line up the drilled holes that you drilled in the shaft with the holes in the Spontoon head and apply some wood glue to the screws and screw them in.



# MAA AMERICAN SPONTOON

## ASSEMBLY INSTRUCTION SHEET

**INCLUDED:** MAA American Spontoon head, wood shaft, 2 screws.

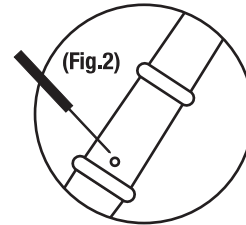
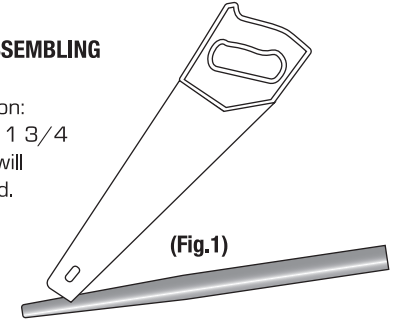
**YOU WILL NEED:** Drill, 1/32" drill bit, Phillips Head screw bit, and a hand saw.

### ALWAYS WEAR EYE PROTECTION WHILE ASSEMBLING THIS PRODUCT

To assemble your MAA American Spontoon:

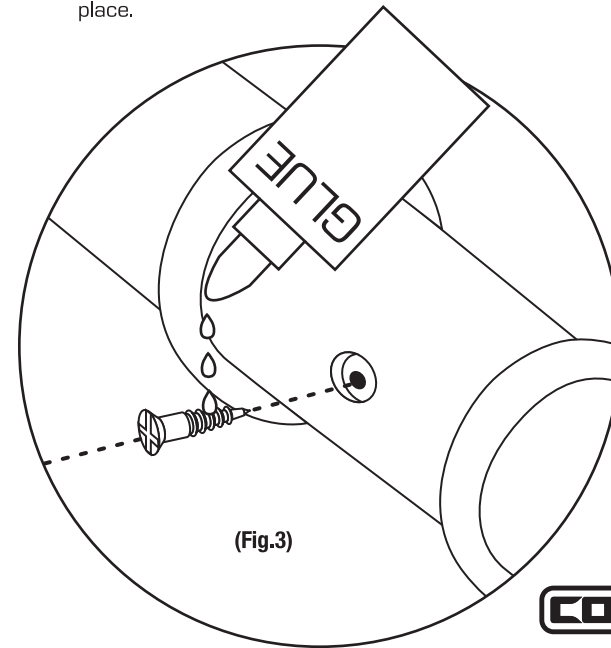
**(A)** You will need to saw off approximately 1 3/4 inches off of the tenon of the shaft. This will make the shaft fit more snugly to the head.

**(Fig.1)**



**(B)** Take the head and fit it tightly on to the shaft. Then use an awl or scribe to mark the shaft through the pre-drilled holes in the head. After you have done this, remove the Spontoon head and drill a shallow hole using a 1/32" (approx.) drill bit.

**(C)** When the hole has been drilled, you can put the Spontoon head back in place.



**(D)** Line up the drilled holes that you drilled in the shaft with the holes in the Spontoon head and apply some wood glue to the screws and screw them in.